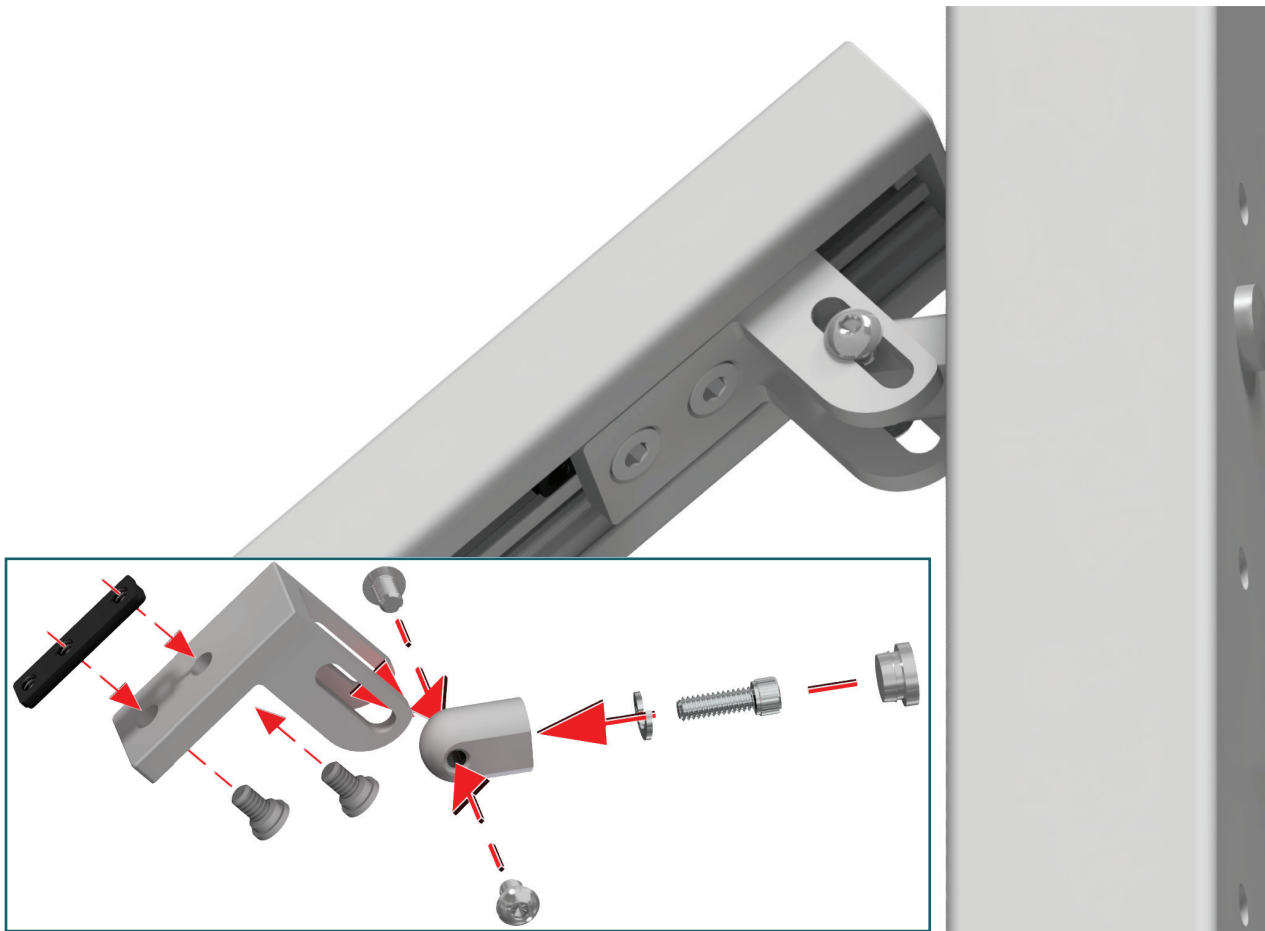


Quick Slide Postside Handrail Bracket Installation Guide



Tools Needed for this Installation



Allen Wrenches



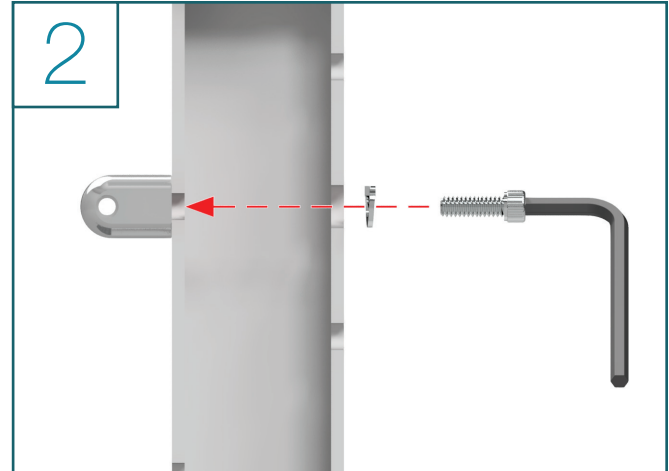
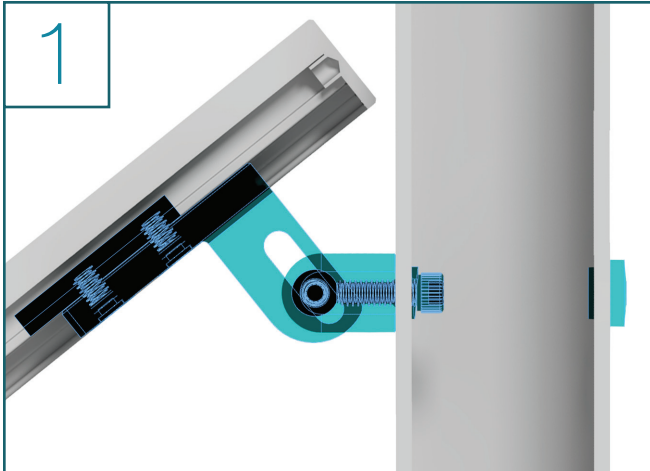
Dead Blow Hammer

Things to Know Before You Get Started

- Read over the provided material prior to the start of your installation
- The post side handrail bracket is used on angle to level transition posts i.e. I, D, H, G
- It may be helpful to slide the post foot cover on the post first, and then install the post side handrail bracket dome before the post is mounted down. This is in case any hardware falls inside the post.



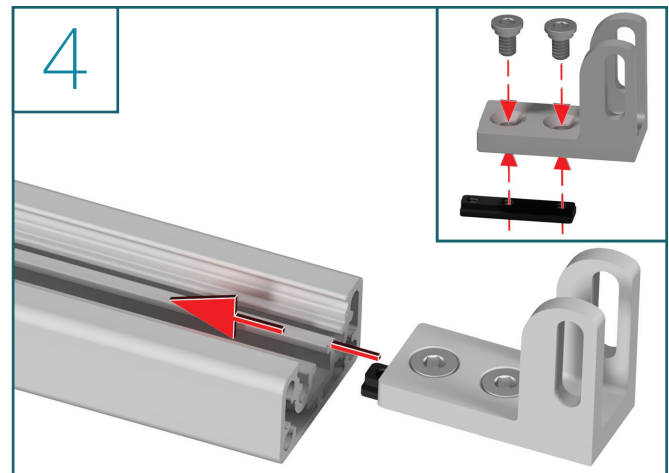
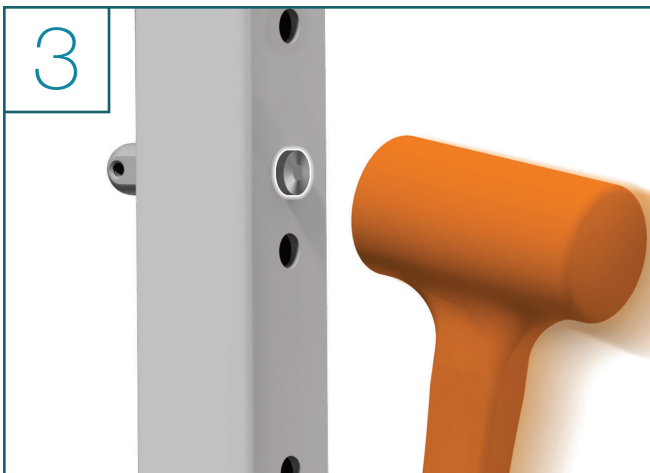
Quick Slide Postside Handrail Bracket Installation Steps



- Identify and select your stair transition posts (I, D, H, G)
- Identify the $\frac{5}{16}$ " and $\frac{1}{2}$ " holes for your Post Side Handrail Bracket

- Slide the lock washer onto the hex screw
- Using the Allen wrench, insert both into the $\frac{1}{2}$ " hole until the screw is out the $\frac{5}{16}$ " hole
- Turn the bracket dome onto the screw a few rotations
- Once threading, hold the dome into position and use the Allen wrench to tighten the dome snug against the post

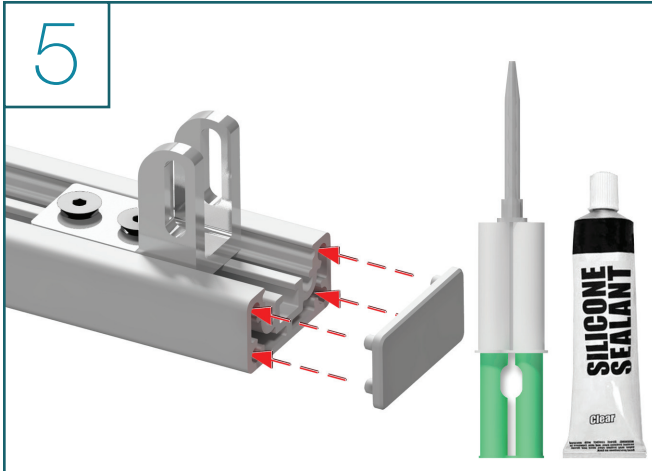
Note: To prevent possible corrosion, only use the supplied chrome plated Allen wrench when doing this step



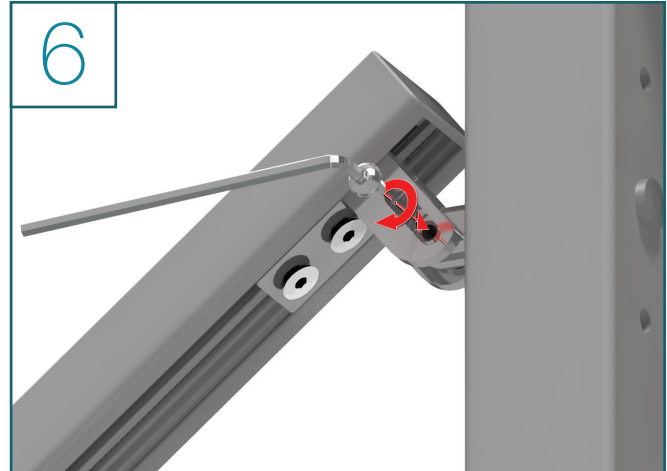
- Using a dead blow hammer or rubber mallet and wood driver, drive the steel plug into the $\frac{1}{2}$ " hole

- Prepare the bracket, nut retainer, and bolts
- Thread the screws through the bracket and tighten just enough so the nut retainer stays on
- Slide the bracket into the channel
- The nut retainer should fit snugly in the deeper, middle channel
- Slide the bracket down the handrail to make sure it is all the way in, a precise location is not necessary at this point

Quick Slide Postside Handrail Bracket Installation Steps (Continued)

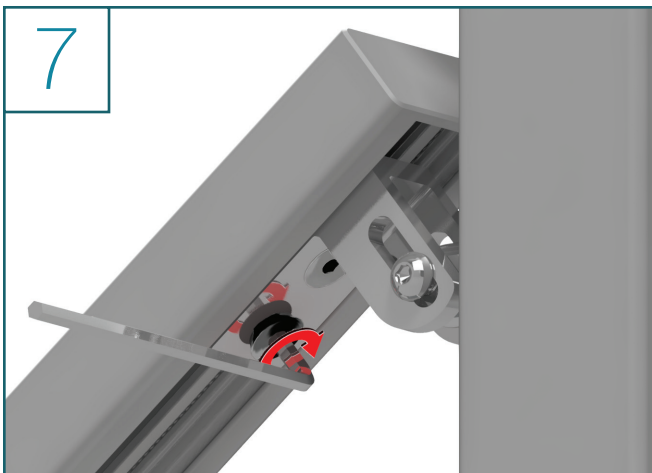


- Next insert the end plug nearest the handrail bracket
- You can use epoxy or silicone to attach them



- Flip the handrail so the bracket are facing down
- Match up the bracket to the Post Side Bracket Dome
- Use the $\frac{5}{32}$ " Allen wrench and two screws to fasten the brackets to the domes

Note: To prevent possible corrosion, only use the supplied chrome plated Allen wrench when doing this step



- When your handrail is in the correct position, use the Allen wrench to tighten the bracket screws against the channel
- The channel will hold the nut retainer in place while the screw turns, tightening the handrail down

Note: To prevent possible corrosion, only use the supplied chrome plated Allen wrench when doing this step

Congratulations! You're done with this section.

We'd love to see your work! Snap a few pics with your phone and send them to pictures@viewrail.com. Thanks for choosing Viewrail. Enjoy your new installation!