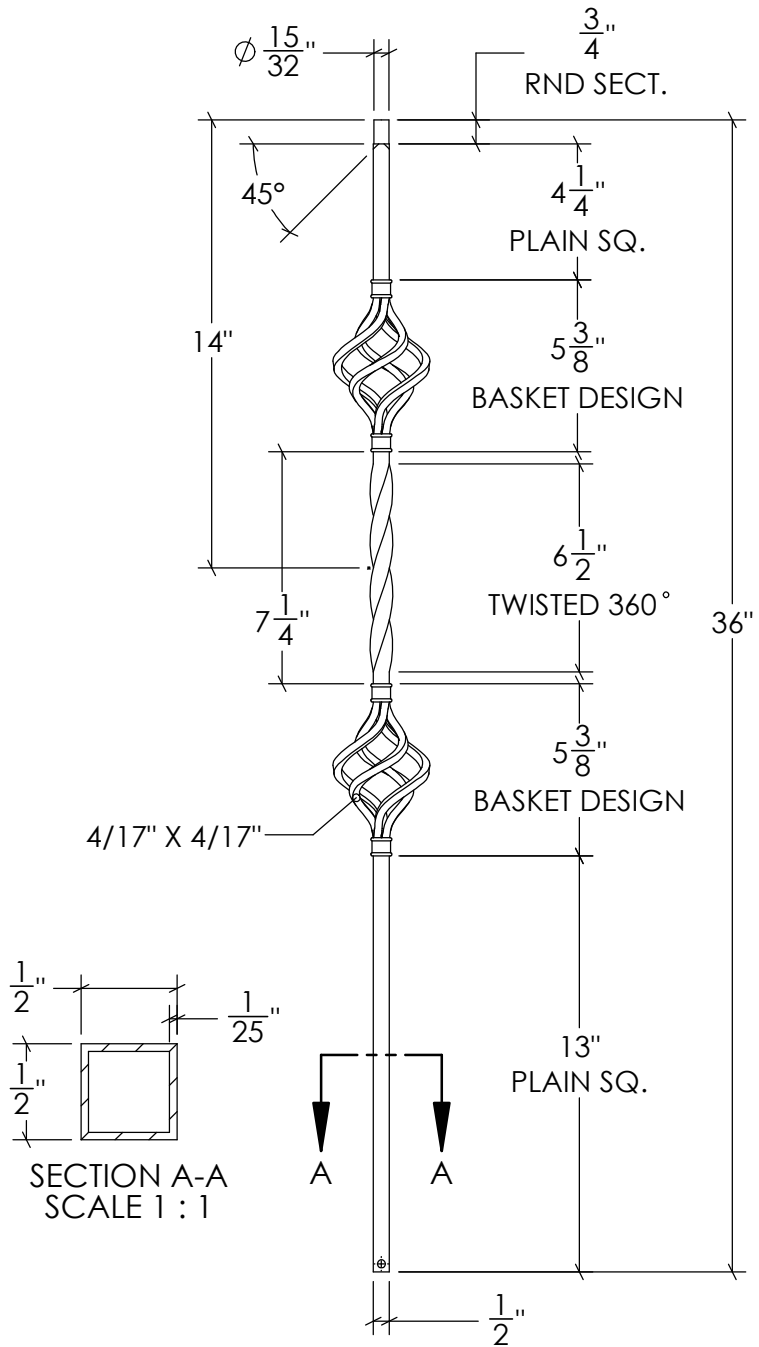


REVISIONS			
REV.	DESCRIPTION	DATE	REVISED BY
A			



STAIRSUPPLIES™



1722 Eisenhower Drive North
 Suite B
 Goshen, IN 46526
 COPYRIGHT 2022 StairSupplies™ ALL RIGHTS RESERVED

DESCRIPTION: KW14-2BASK (Knee Wall Double Basket Iron Bal.)

Drawn by: **RSAGRE**

DWG #: **C-2653**

Date: 03/23/2023
 Created: 03/23/2023

Material: **Iron**

Scale: **1 : 6**