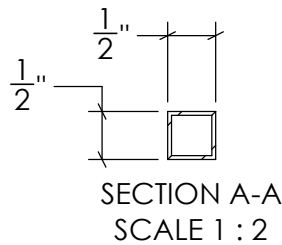
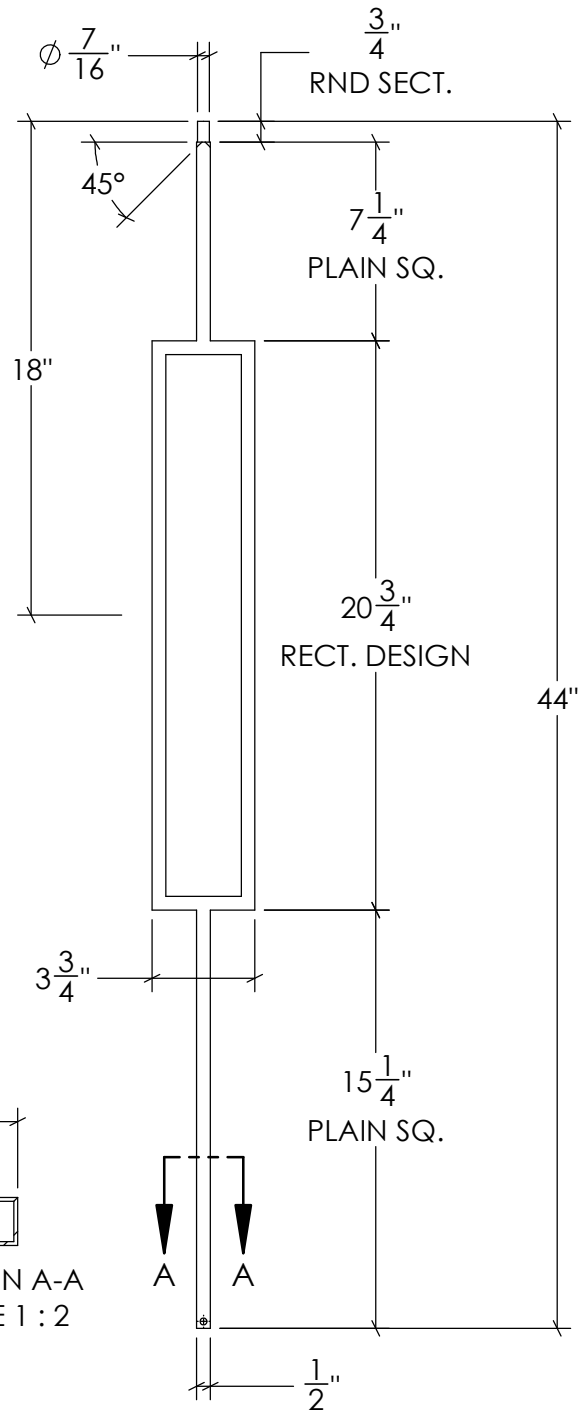
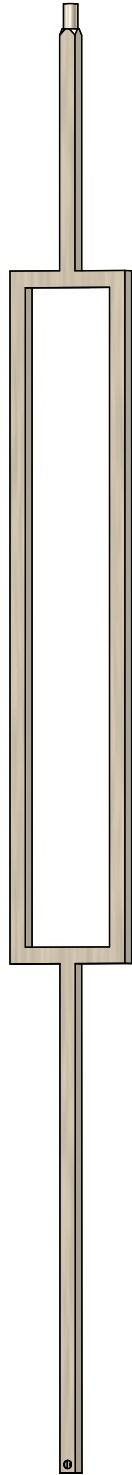


REVISIONS			
REV.	DESCRIPTION	DATE	REVISED BY
A			



STAIRSUPPLIES™



1722 Eisenhower Drive North
 Suite B
 Goshen, IN 46526
 COPYRIGHT 2022 StairSupplies™ ALL RIGHTS RESERVED

Description: **M435 (Single Rectangle Iron Baluster)**

Drawn by: **RSAGRE**

DWG #: **C-2670**

Date: 07/28/2023
 Created: 07/28/2023

Material: **Iron**

Scale: **1 : 7**