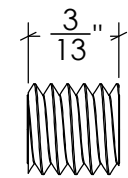
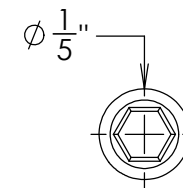
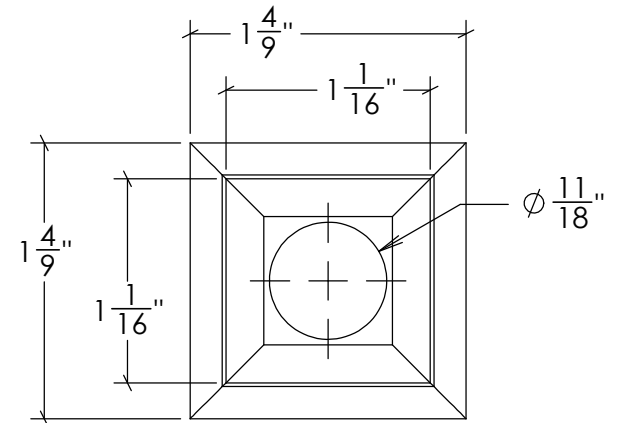
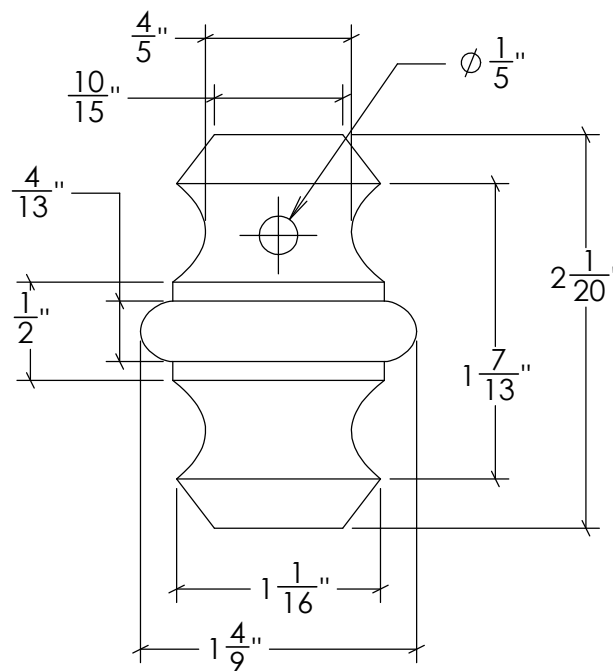
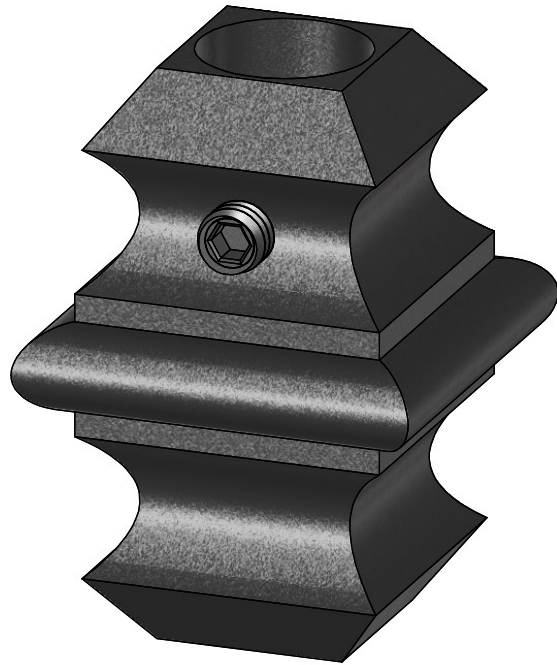


REVISIONS			
REV.	DESCRIPTION	DATE	REVISED BY
A			



DETAIL  
SCALE 2 : 1



1 PC

 **STAIRSUPPLIES™**



1722 Eisenhower Drive North  
Suite B  
Goshen, IN 46526

COPYRIGHT 2022 StairSupplies™ ALL RIGHTS RESERVED

Description: **RAK03 (9/16" Square Knuckle - Round)**

Drawn by: **RSAGRE**

DWG #: **C-2918**

Date: 08/19/2023  
Created: 08/19/2023

Material: **Iron**

Scale: **1 : 1**