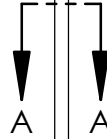
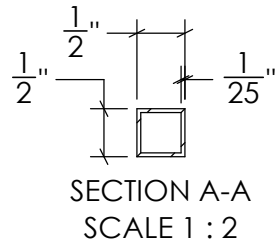
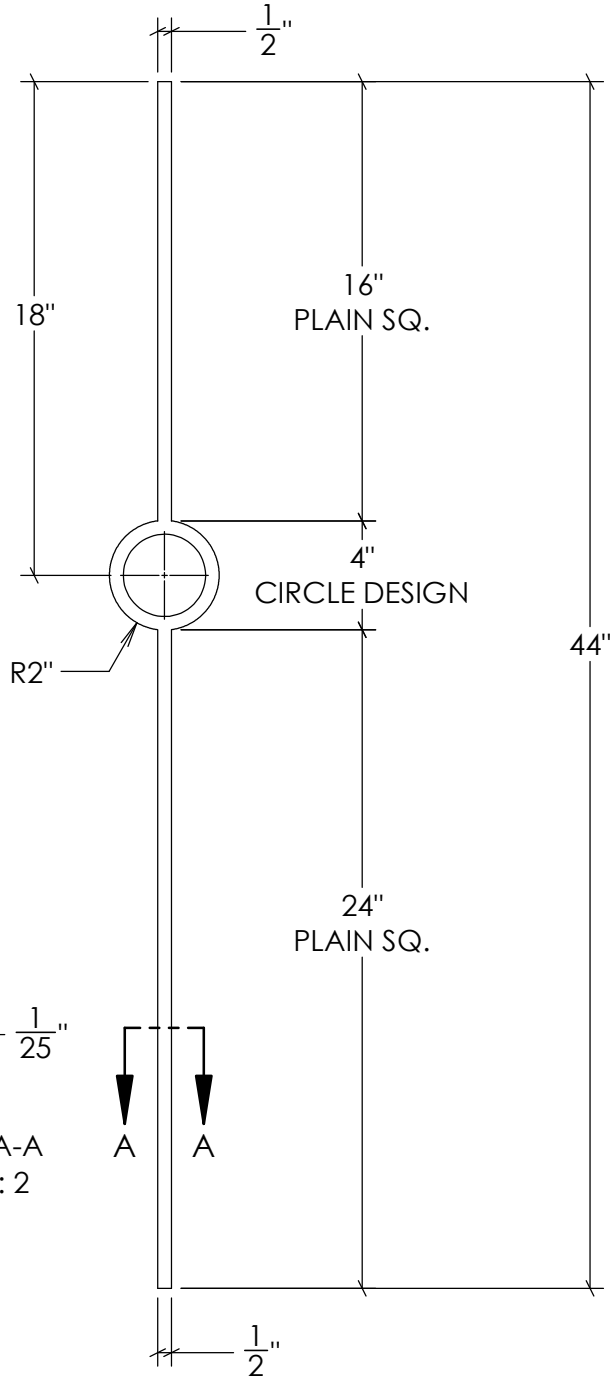
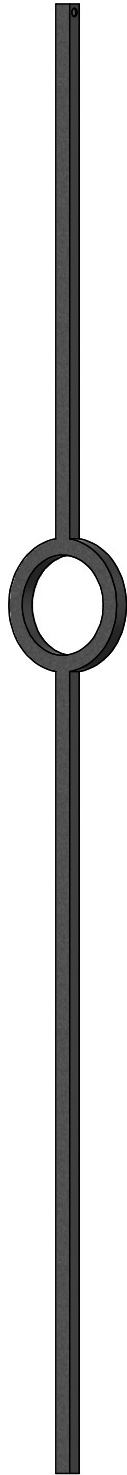


REVISIONS			
REV.	DESCRIPTION	DATE	REVISED BY
A			



STAIRSUPPLIES™



1722 Eisenhower Drive North
Suite B
Goshen, IN 46526
COPYRIGHT 2022 StairSupplies™ ALL RIGHTS RESERVED

Description: **M40144 (Single Circle Iron Bal.)**

Drawn by: **RSAGRE**

DWG #: **C-2930**

Date: 06/05/2023
Created: 06/05/2023

Material: **Iron**

Scale: **1 : 7**