



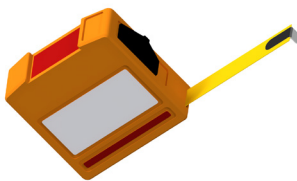
# Quick Slide Level Handrail - Universal Top Installation Guide

Look for this sticker  
on hardware bags

HANDRAIL



## Tools Needed for Installation



Measuring Tape



Miter Saw  
Non-Ferrous Metal Blade



$\frac{3}{16}$ " &  $\frac{5}{32}$ "  
Allen Wrenches



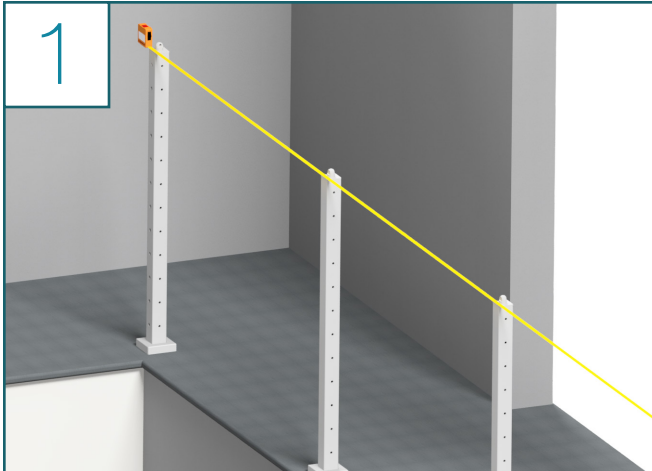
Silicon Sealant  
or Epoxy

## Things to Know Before You Get Started

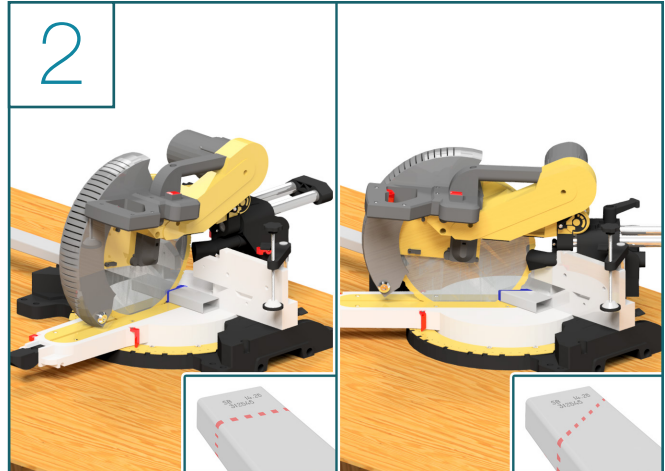
- Read over the provided material prior to the start of your installation
- **For handrail installations including LEDs:**  
Identify and plan for how you would like to run your wire from the box to the LED strip which will be hidden inside of the handrail. This wire can either be run externally to the handrail, or, some customers choose to run the wire up through a post and drill a hole out the top of the post and lead into the handrail. A third option is to utilize handrail returns and run the wire directly from the handrail channel into the wall.



## Quick Slide Level Handrail - Universal Top

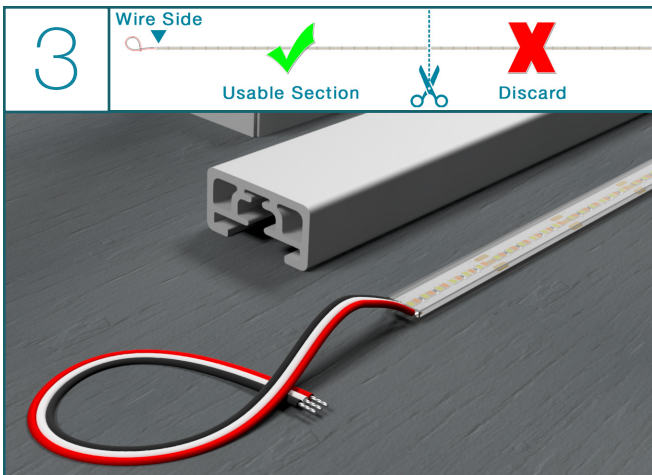


- Measure your run and determine the length needed for your handrail
- The handrail can overhang the end posts if desired
- Handrail junctures over your corner posts will need to be mitered



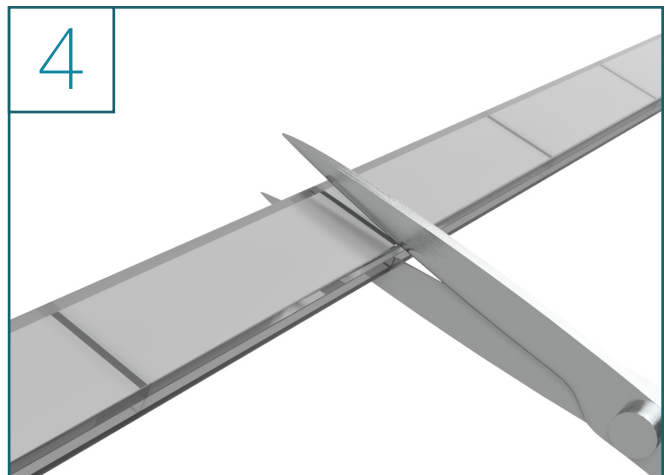
- Mark your handrail & use a miter saw to cut your handrail
- You can use painters tape where you are going to cut to help keep the powder coat intact
- Any miter saw with a good blade or blade rated to cut aluminum will work
- If you are doing a corner, miter each handrail end to 45° (check your angle)

*Note: Make sure to locate the production marks on one end of each handrail. It will be important to remove that end of each handrail when cutting them to length.*



### THIS STEP IS ONLY FOR HANDRAIL INSTALLATIONS WITH LEDs

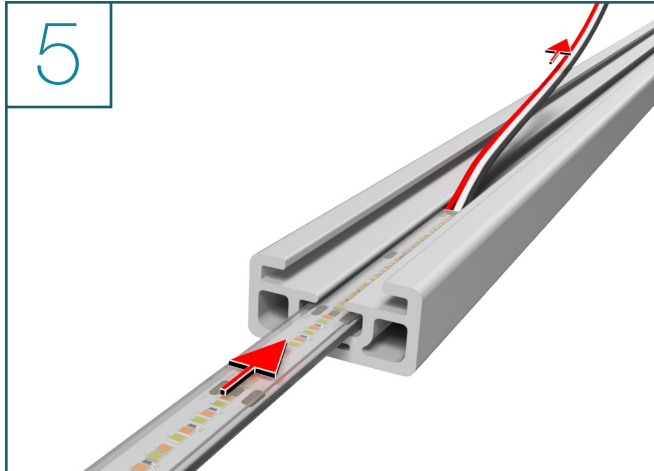
- Utilizing the measurements you took for your handrail, lay out your LED Strips by the corresponding length of handrail
- Make sure to measure from the wire end of the LEDs to the appropriate length and mark on the LED strip
- Once cut, in the following step, the remainder of the LED strip will be discarded



### THIS STEP IS ONLY FOR HANDRAIL INSTALLATIONS WITH LEDs

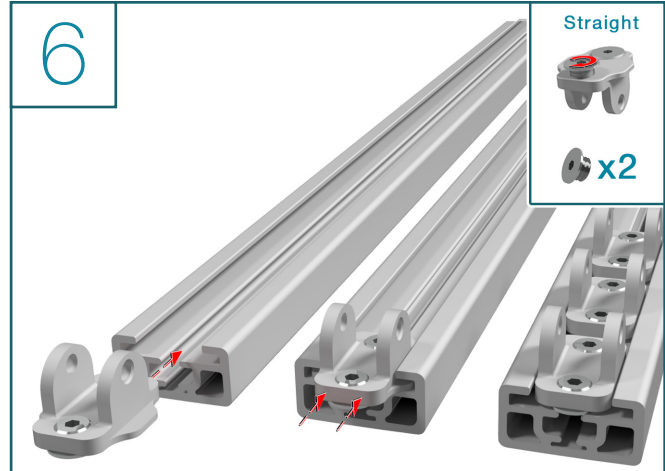
- Cut your LED Strip to the nearest cut point for the length of handrail that you have cut
- The cut points are indicated by black lines on the back
- If your measurement from Step 3 is in between cut lines, then round down to the next cut line
- Seal the cut end with silicone to prevent a short

## Quick Slide Level Handrail - Universal Top (Continued)

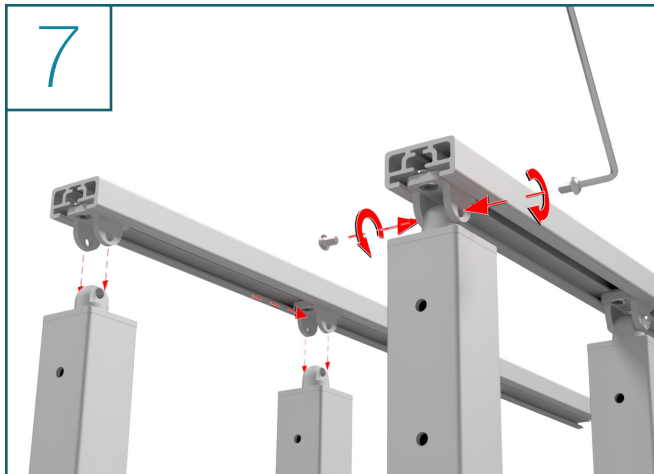


### THIS STEP IS ONLY FOR HANDRAIL INSTALLATIONS WITH LEADS

- After your LED Strips have been cut to length, draw the LED strip through the channel by gently pulling it by the leader wires
- It might be helpful for a partner to gently guide the LED strip in from the opposite side
- After the LED is in place and you are satisfied with its location, use silicone to seal the cut end of the LED strip to prevent moisture intrusion

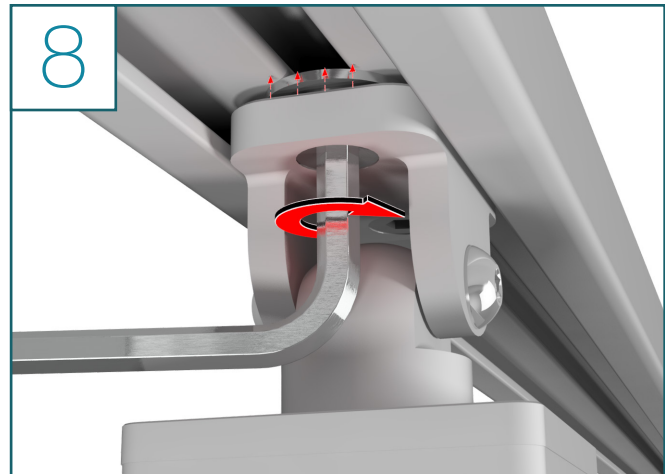


- Prepare your brackets and Top Hat screw for each post on the run you are working on
- Finger tighten the screws from the top of the bracket
- Slide the handrail bracket(s) into the channel on the handrail - A precise location is not necessary at this point



- Flip the handrail so the brackets are facing down
- Slide the brackets down the handrail until they are roughly above each post
- Match up the brackets to the post dome tops
- Using the supplied Allen wrench, tighten the button head screws into place

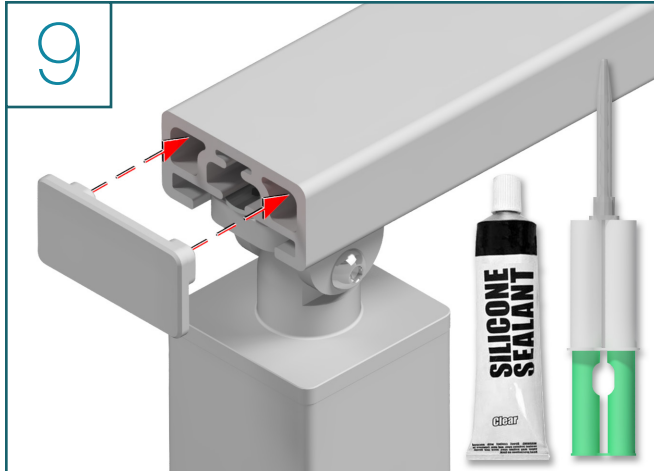
*Note: To prevent possible corrosion, only use the supplied chrome plated Allen wrench when doing this step*



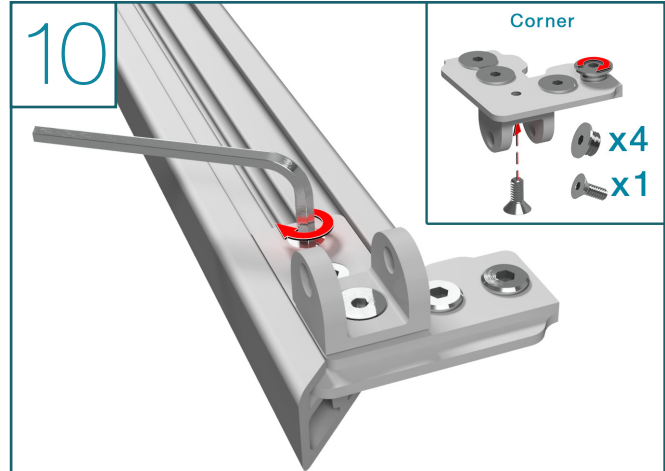
- When your handrail is in the correct position, use the Allen wrench to tighten the bracket screws against the channel
- The head of the Top Hat screws will press up against the bottom of the handrail

*Note: To prevent possible corrosion, only use the supplied chrome plated Allen wrench when doing this step*

Quick Slide Level Handrail - Universal Top (Continued)

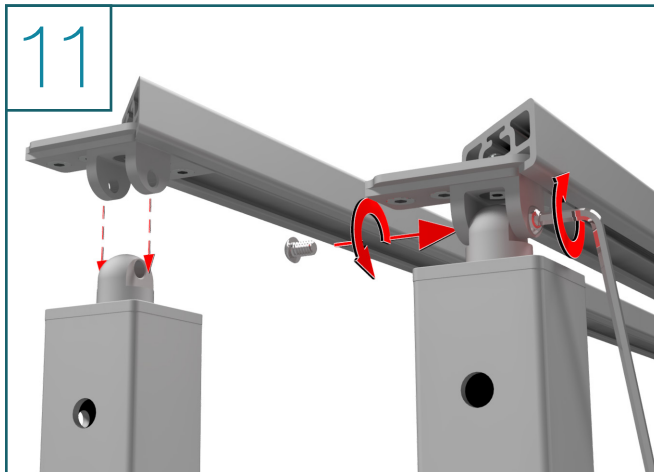


- When the handrail is completely in place, insert your end plugs
- You can use epoxy or silicone to attach them



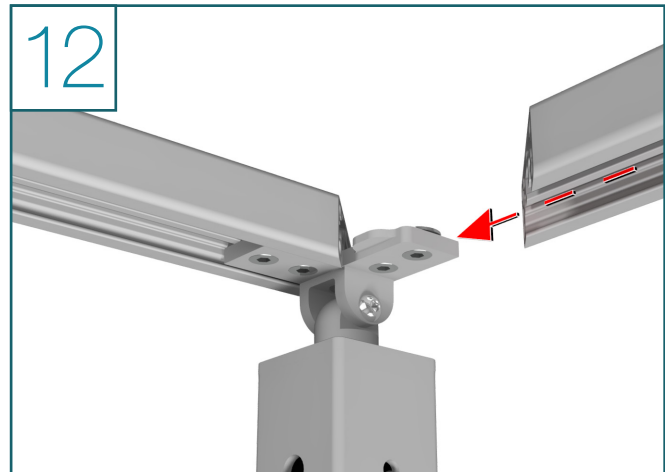
- With the corner set, you can fasten one side down
- Use the Allen wrench to tighten the bracket screws against the channel
- On the other end of the corner bracket, finger tighten the screws through the top, on the other side of the bracket
- Prepare and slide your straight brackets into your handrail channel for each post on these two runs (both handrails)

*Note: To prevent possible corrosion, only use the supplied chrome plated Allen wrench when doing this step*



- Flip the first handrail right side up down and fasten the bracket to the post dome using dome screws
- Using the supplied Allen wrench, tighten the button head screws into place on the each of the posts on that side

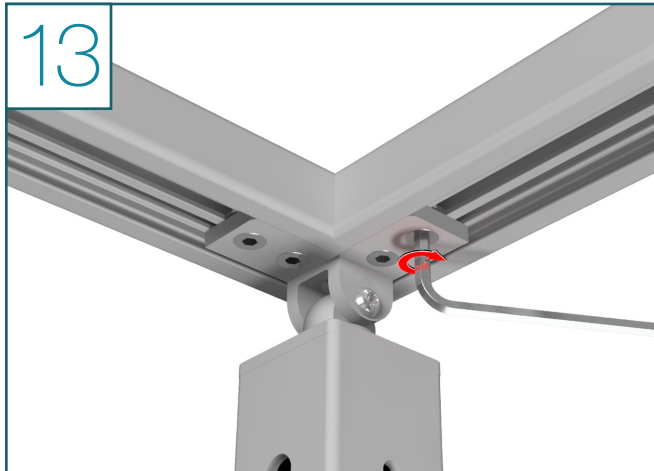
*Note: To prevent possible corrosion, only use the supplied chrome plated Allen wrench when doing this step*



- Position the second handrail in to place on top of the other posts on the run
- Secure the each bracket to the other posts on the other half of the run to their corresponding straight posts
- Leave the Top Hat screws disengaged to allow for the handrail to slide it onto the open corner bracket end

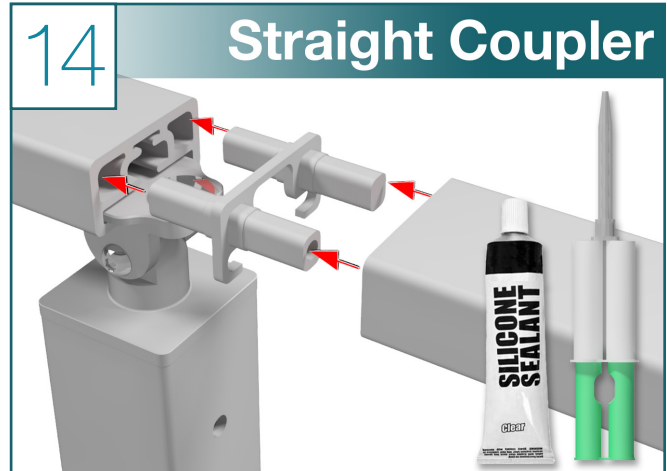


Quick Slide Level Handrail - Universal Top (Continued)

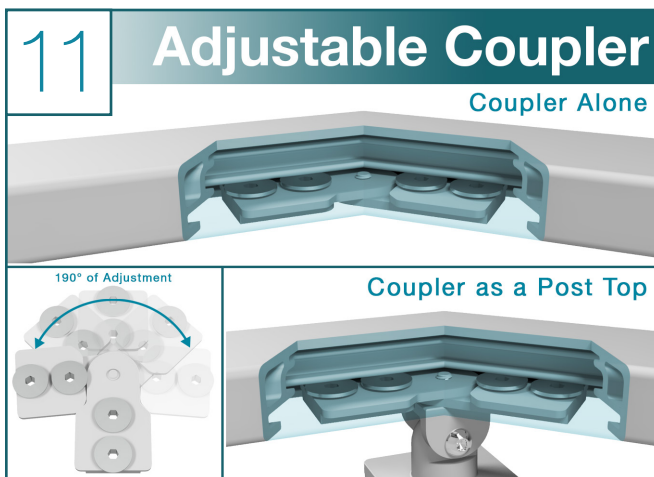


- When the miter seam is tight and your handrail is in place, use the Allen wrench and screws to tighten the bracket against the second handrail
- Repeat this for every bracket on your second handrail's run
- Two runs should now be fully mitered and fastened

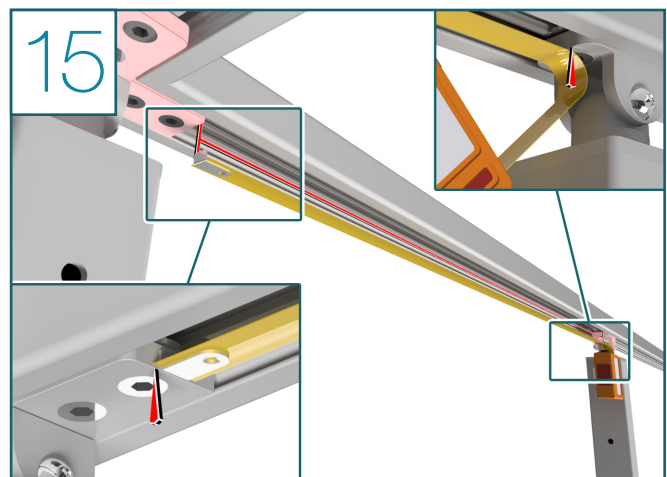
*Note: To prevent possible corrosion, only use the supplied chrome plated Allen wrench when doing this step*



- To join two straight handrail runs, you will need to use a Quick Slide Coupler
- Using silicone or epoxy to hold in place, attach the coupler into one of the handrail ends
- Once in place, repeat the step for the other handrail end
- Each coupler will need to mount over a post bracket to ensure rigidity and strength



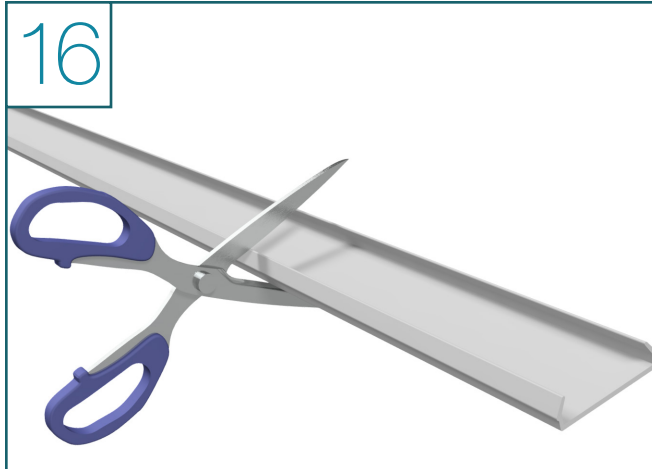
- Flip the handrail so the brackets are facing down
- Slide the brackets down the handrail until they are roughly above each post



**THIS STEP IS ONLY FOR HANDRAIL INSTALLATIONS WITHOUT LEDS**

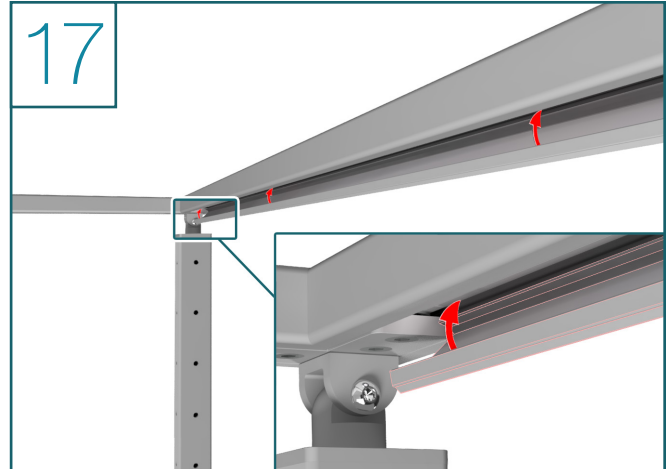
- After the installation of the handrail is complete, it is time to measure the length needed for each section of the Quick Slide Channel Covers - These covers will snap into the under side of the Quick Slide handrail and leave a smooth stylish look
- Looking under the handrail, locate the brackets and measure the distance between them
- Write these measurements down as there may be some variation depending on post install locations

## Quick Slide Level Handrail - Universal Top (Continued)



**THIS STEP IS ONLY FOR HANDRAIL  
INSTALLATIONS WITHOUT LEDS**

- Locate the Quick Slide Channel Covers
- Measure and mark where you will make your cuts
- Using a pair of scissors, cut the covers to size



**THIS STEP IS ONLY FOR HANDRAIL  
INSTALLATIONS WITHOUT LEDS**

- Clip the cover into space under the handrail as shown

## Congratulations! You're done with this section.

We'd love to see your work! Snap a few pics with your phone and send them to [pictures@viewrail.com](mailto:pictures@viewrail.com). Thanks for choosing Viewrail. Enjoy your new installation!