



# VIEWRAIL UNIVERSAL PINS



## Universal Pin System

Universal Standoff Pins are expertly machined from aircraft grade 6061 Aluminum. Each pin is powder coated with a top-of-the-line finish to match your project's needs. The simple design and fastening technique create a quick, easy installation.

## Viewrail Universal Pin System



### Tech Specifications

**Material:** 6061 Aluminum (Aircraft Grade)

**Finishes:** Aluminum: Your Choice of Powder Coat

**Height:** Up to 42" Tall (System Height)

**System Offset:** Pins Offset Glass 1.5" From Mounting Surface

**Mount Type:** Side Mount

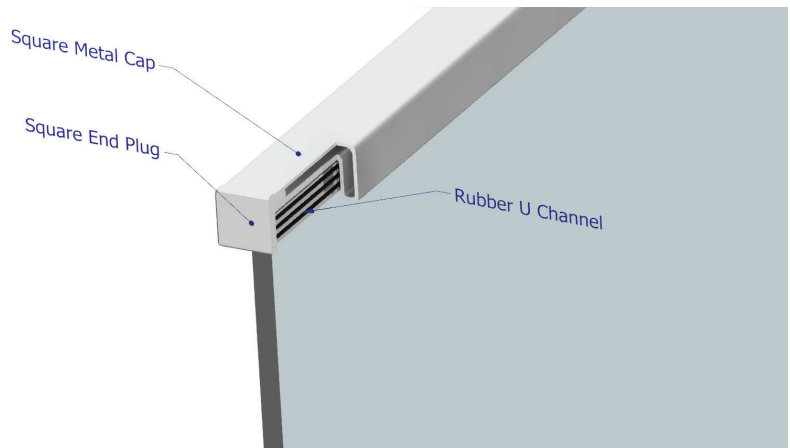
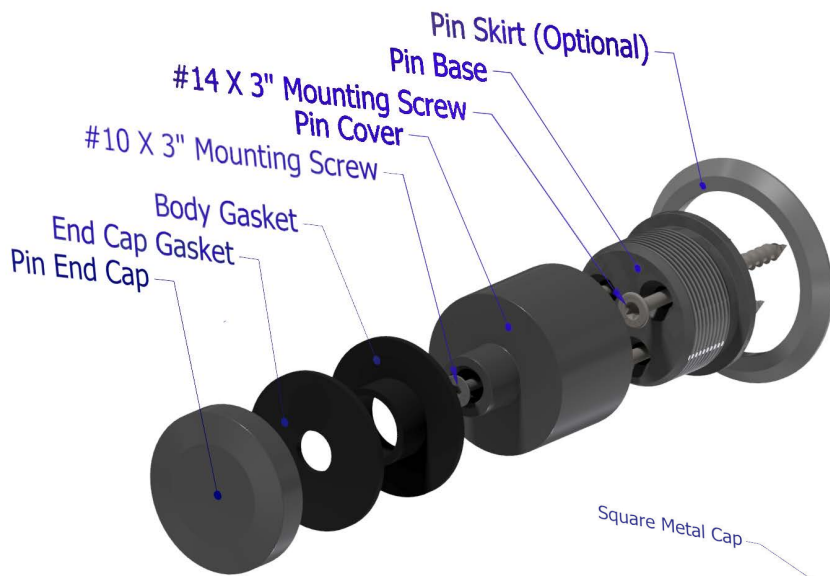
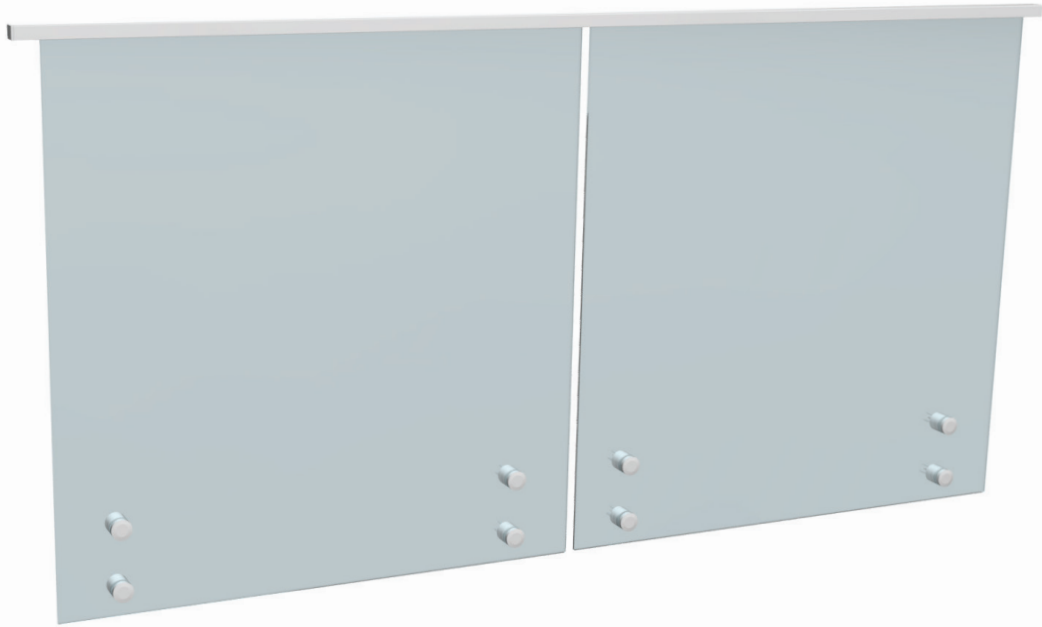
**Composition:** Pin Components are Milled from Solid Aluminum

**Infill Options:** 1/2" Tempered or 9/16" Laminated Glass

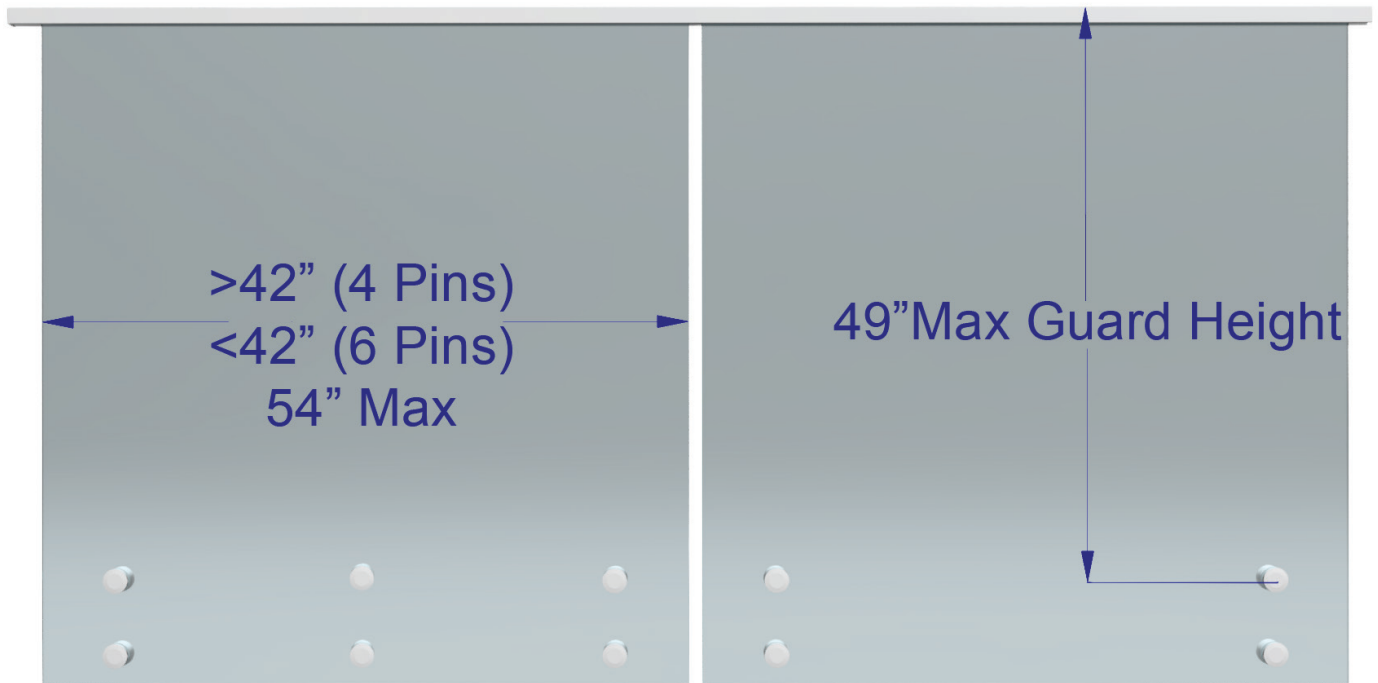
**Compliance:** ICC, IBC International Building Code® (2015,2018,2021),  
IRC International Residential Code® (2015,2018,2021)

# Viewrail Universal Pin System

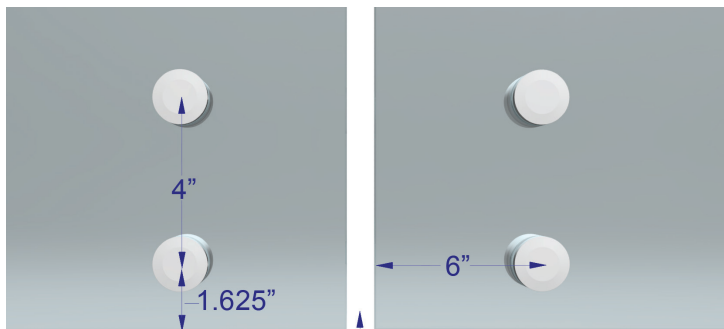
## Product Components



## Viewrail Base Rail System



## Hardware Dimensions



Spacing Between Panels (.25-1'')

